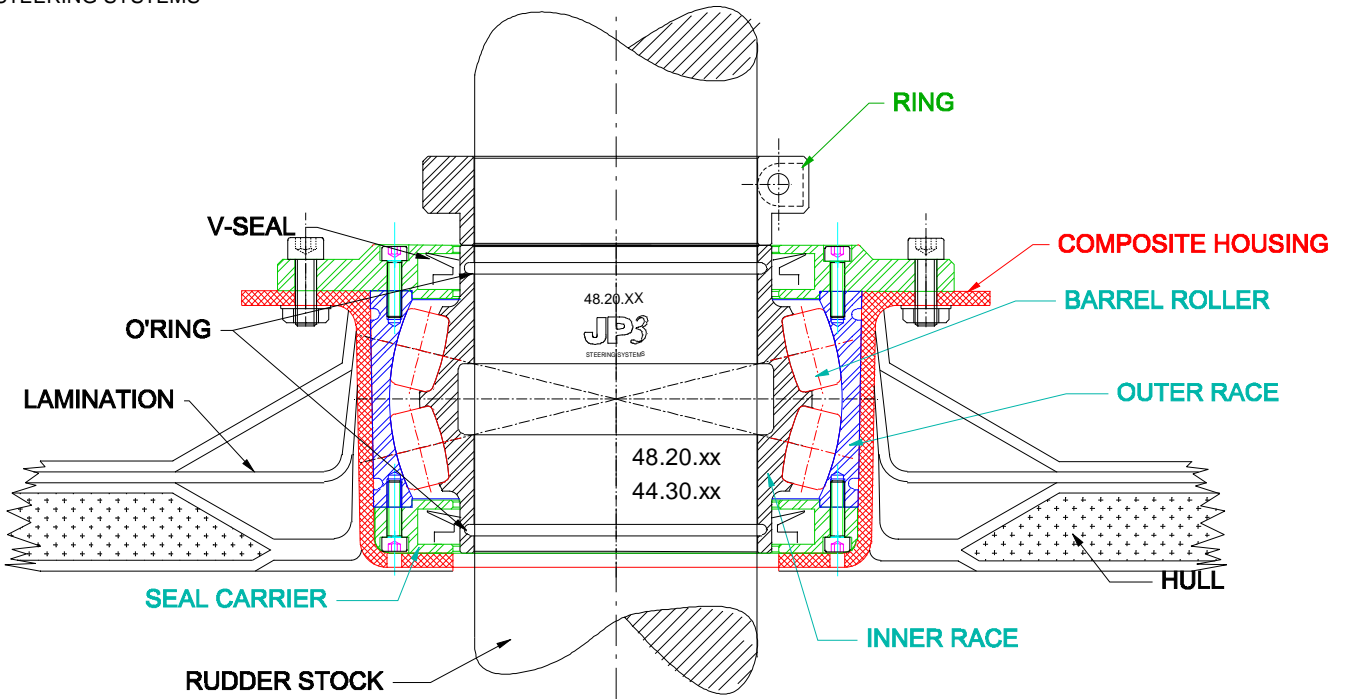




STEERING SYSTEMS

IMPLANTATION OF FLANGED TYPE IV BEARING FOR COMPOSITE BOAT



STEERING SYSTEMS

IMPLANTATION OF TYPE IV BEARING FOR COMPOSITE BOAT

